

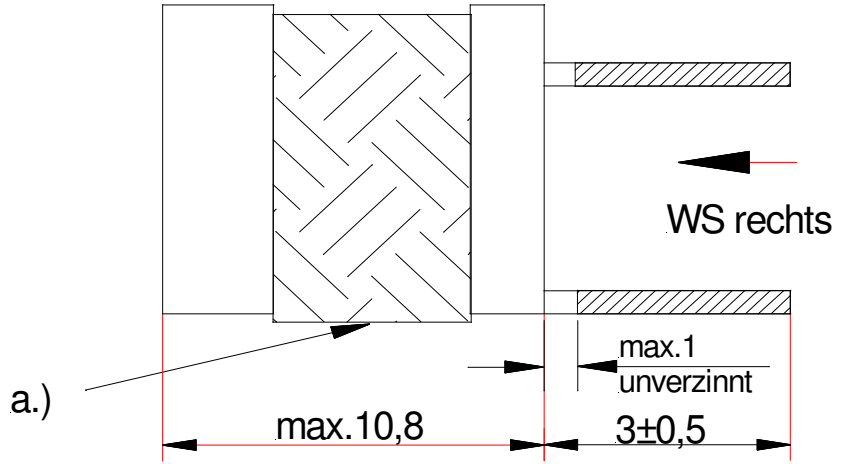
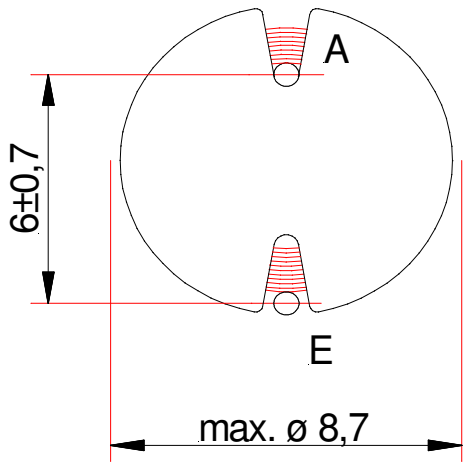
Technical Data Sheet

Customer :
Kaschke Components GmbH

Part designation :
DR-GR 8/10

Customer part number :

di:/bv/gr8.dwg



Kern	GR8/3,5/10L oe equiv.
Nominal inductance	L= 330µH ±10%
Nominal current	max. 0,85A
Resistance (Rdc)	max. 540 mOhm
Operating temperature	-25 - +125
Storage temperature	-25 - +85

Measuring device of L: WK 3260A

Measuring conditions of L: 50mV/10kHz/25°C

Measurement	Unit	No. 1	No. 2	No. 3	No. 4	No. 5

Kaschke Components GmbH
Göttingen

Person responsible :
Nicolaus

Date:
06.10.2011

Design regulation no.:
036619-a

Please give us your written release and certified herewith the confirmation of the validation in the application !!!

Date

Signature