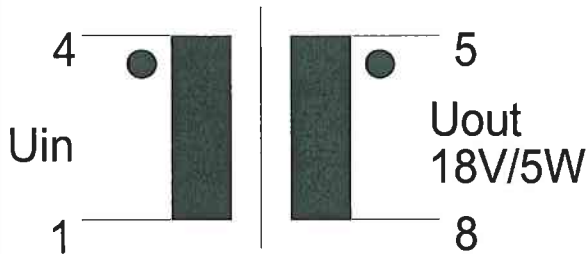
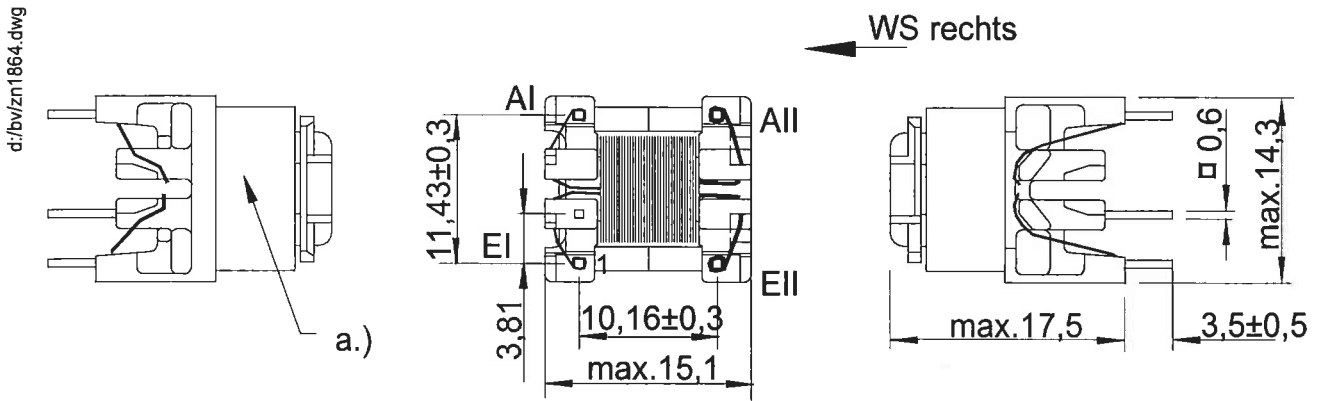


# Technical Data Sheet

Customer:

Part designation:

Customer part no.:

**SP-E 13/6**
**STNY264-18-5**


Core / material / air gap / AL	<b>E13/6 K2006 or equiv.</b>	
Nominal inductance	<b>LI= 1,94 mH ±10%</b>	
maximum transmissible power	<b>5W</b>	
Working frequency	<b>132KHz</b>	
Transformation ratio	<b>110 : 19</b>	
dielctric strength (50Hz/2s)	<b>WI-WII = 3,75KV</b>	
Nominal Current		
Design in comp. with standard	<b>S08</b>	
Working / storage temperature	<b>-25°C- 120°C</b>	<b>-25°C- 85°C</b>
Miscellaneous		

 Remarks : **a.) Aufdruck (marking)**

 Measuring device of L: **W&K 3245**

 Measuring conditions of L: **50 mV/10 KHz**

Measured quantity	Unit	No. 1	No. 2	No. 3	No. 4	No. 5

Responsible person:

**Uwe Dickhut**

Date:

**09.10.2006**

Design regulation no:

**096.929**

Index:

**00**
**PLEASE GIVE US YOUR WRITTEN RELEASE**

Date

Signature