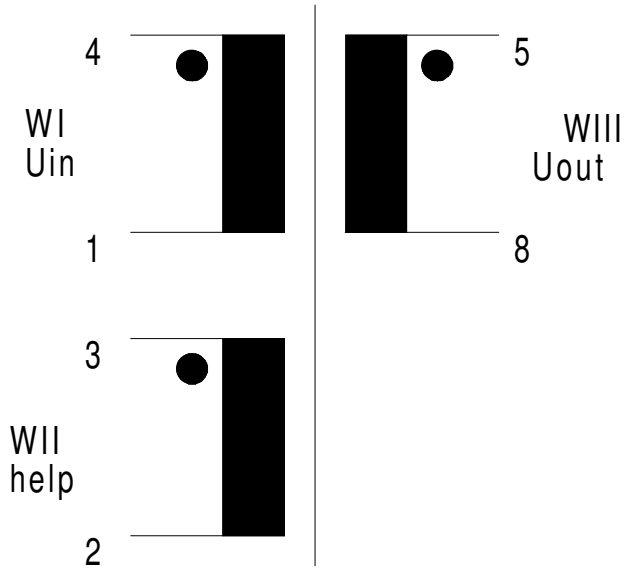
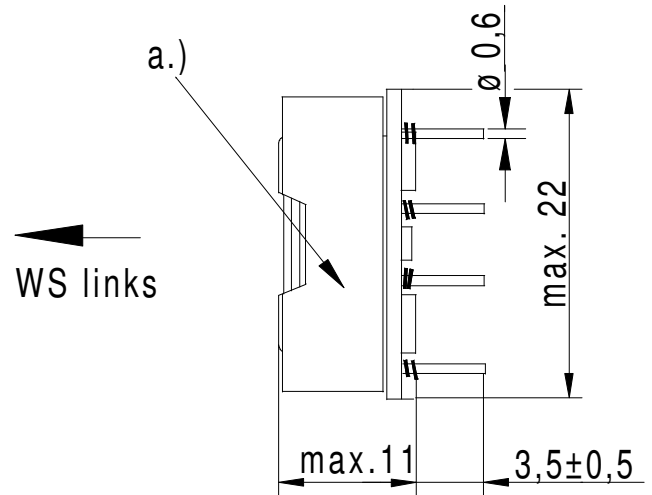
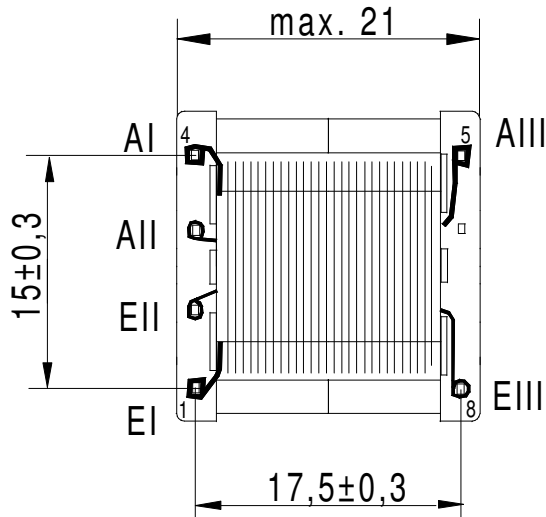


# Technical Data Sheet

Customer:  
**Kaschke Göttingen**

Part designation:  
**SP-EFD 20**

Customer part no.:  
**DPA426 / 20W**



Core / material / air gap / AL	<b>EFD20 / K2008 or equiv.</b>	
Nominal inductance	<b>LI= 27μH ±15%</b>	
maximum transmissible power	<b>20W</b>	
Working frequency	<b>400kHz</b>	
Transformation ratio	<b>10 : 4 : 4</b>	
dielectric strength (50Hz/2s)	<b>0,5kV (WI/WII - WIII)</b>	
Nominal Current		
Design in comp. with standard	<b>I08</b>	
Working / storage temperature	<b>-25 °C- +125 °C</b>	<b>-25 °C- +85 °C</b>
Miscellaneous	<b>F (DIN 40040)</b>	

Remarks : **a.) marking at series production.**

Measuring device of L <b>W&amp;K 3260A</b>			Measuring conditions of L: <b>50mV/100KHz/21,5 °C</b>			
Measured quantity	Unit	No. 1	No. 2	No. 3	No. 4	No. 5

Responsible person: <b>Uwe Dickhut</b>	Date: <b>15.03.2007</b>	Design regulation no.: <b>184.264</b>	Index: <b>01</b>
---	----------------------------	--	---------------------

**PLEASE GIVE US YOUR WRITTEN RELEASE**

Date Signature